



# DNH

HEAD OFFICE, NORWAY

**DNH AS**

Phone..... + 47 35 98 56 00

Fax..... + 47 35 98 56 10

E-mail..... dnh@dnh.no

Web-Site..... www.dnh.no

ENGLAND

**DNH WW Ltd**

Phone..... + 44 1908 275 000

Fax..... + 44 1908 275 100

E-mail..... dnh@dnh.co.uk

GERMANY

**DNH GmbH**

Phone... + 49 040 6569 30-0

Fax..... + 49 040 6569 30-30

E-mail..... dnh@dnh.de

USA

**DNH Speakers Inc**

Phone..... + 1 484 494 5790

Fax..... + 1 484 494 5793

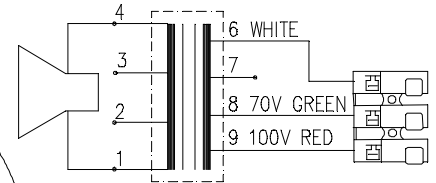
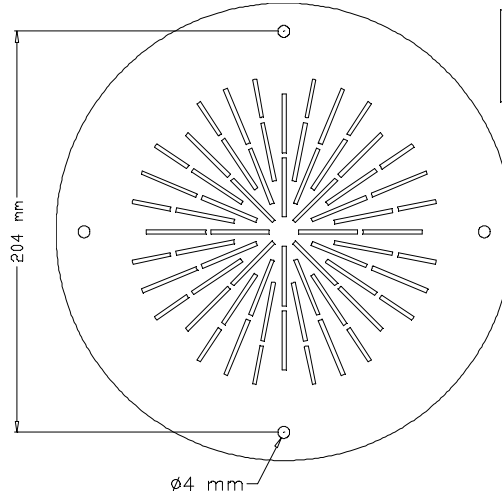
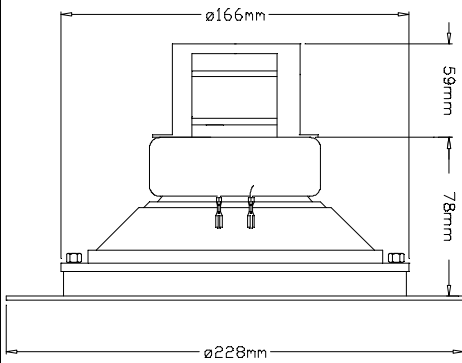
E-mail..... dnh@dnhspeakers.com

## PROB-620(T)

ISO 9001 CERTIFIED

CIRCUIT  
DIAGRAM

Rec. ceiling hole:  $\varnothing$  170mm



Secondary  
nominal  
tappings

1 : 4	30,0 W
1 : 3	20,0 W
2 : 4	15,0 W
1 : 2	7,5 W
3 : 4	3,5 W
2 : 3	2,0 W

Sound pressure levels at 1W/1m

SPL vs Freq



Specifications

Material / Color	Aluminum / RAL 9010
Mounting	4 Screws
Termination	Spring clamp
Weight w/transformer	1,7 kg
IP-rating	NA
Max. / min. amb. temp	90°C / -20°C
Rated / max. power	30 W / 50 W
SPL 1W/1m	90 dB
SPL rated power	105 dB
Effective freq. range	60 – 20000 Hz
Dispersion (-6dB) 1kHz / 4kHz	130° / 50°
Directivity factor, Q	NA
Options	Impedances, colors, labels

### Installation, Operation and Maintenance Procedures

- Connect cable to terminal.
- Select required tapping.
- Install loudspeaker grill to wall/ceiling by 4 screws.
- For optimum performance, always use the correct voltage / power and operate within the frequency limits as stated.
- Do not open loudspeaker when energized.
- This loudspeaker is supplied with a 2 year warranty against defective workmanship.

DNH reserves the right to alter specifications without notice

